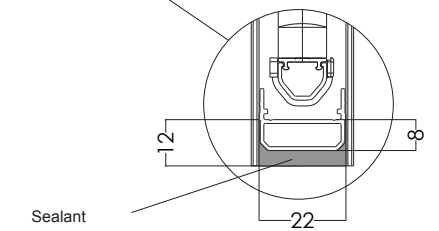
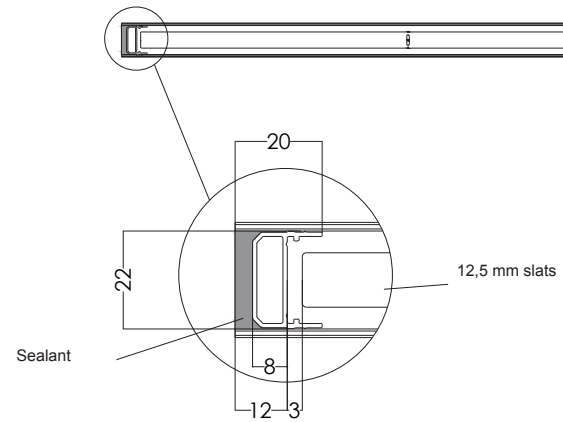
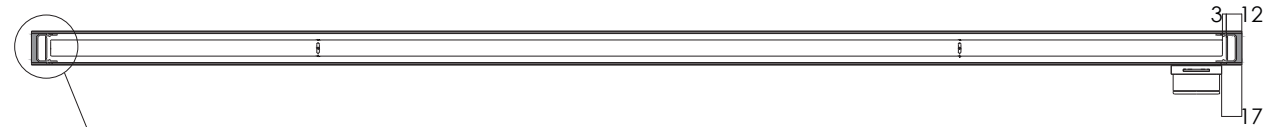
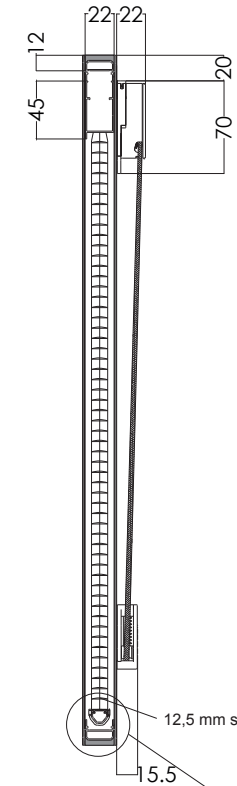
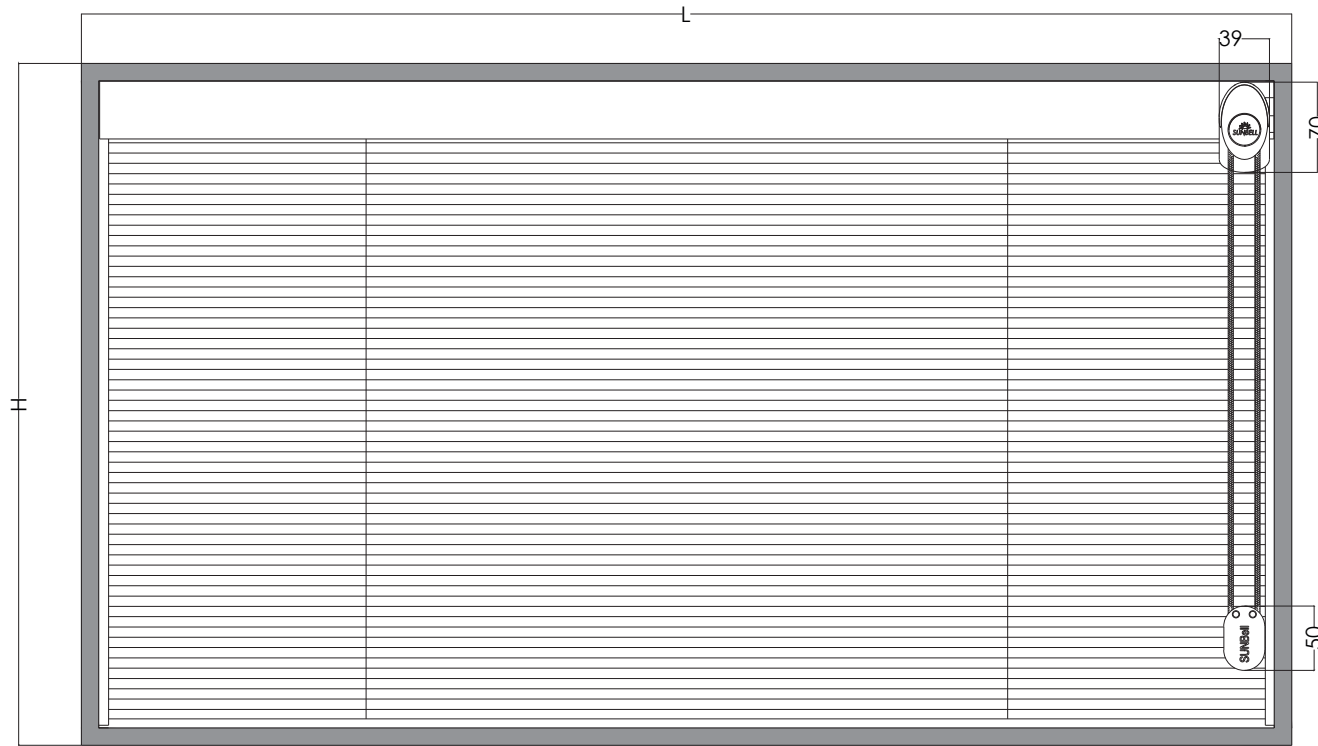


# DIMENSIONS- WARM EDGE SUNCORD BLIND - 22 MM CAVITY - 4 MM SEALANT



\* All dimensions in mm